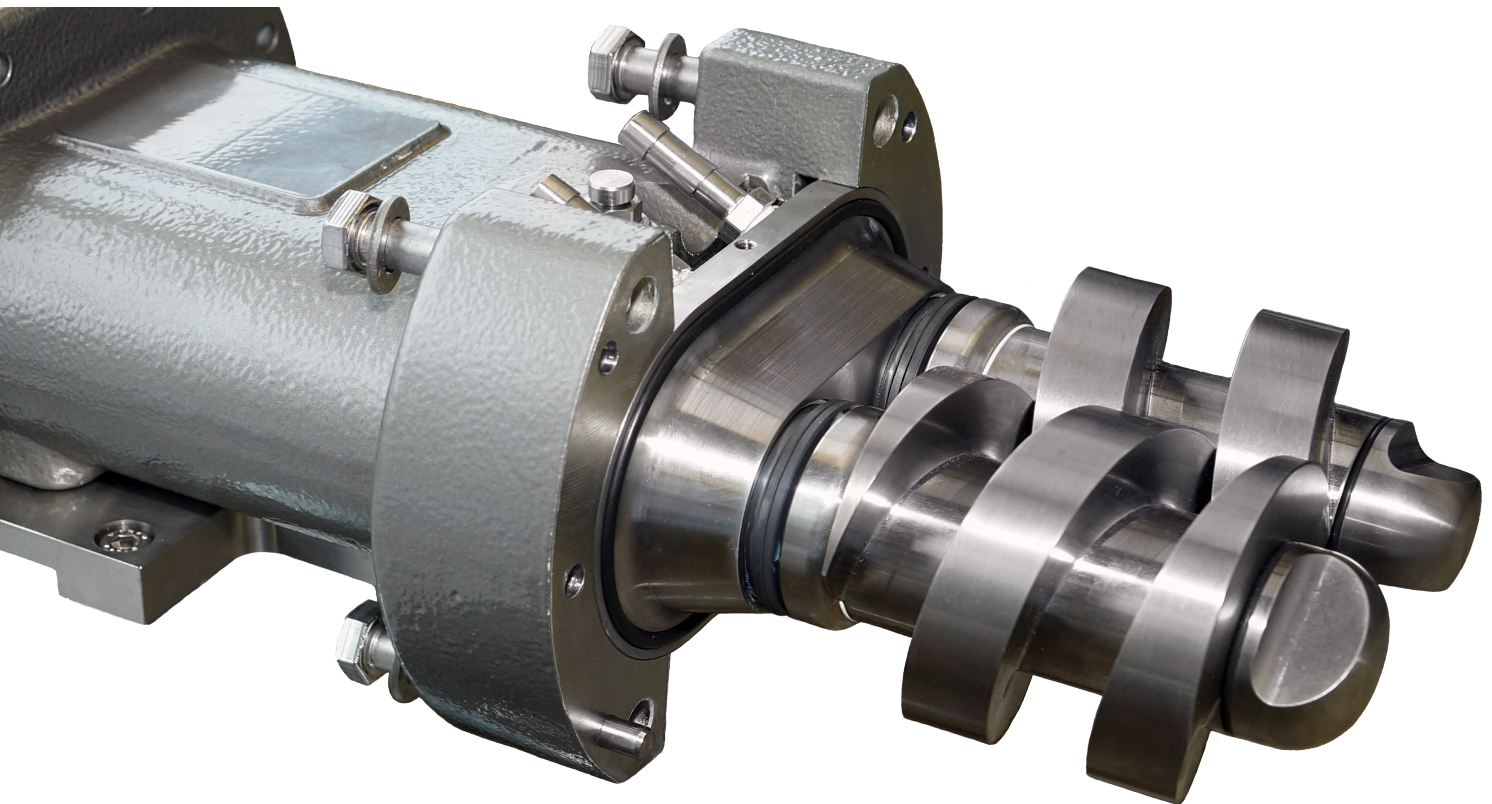


ViscoTwin

THE MOST VERSATILE SANITARY PUMP

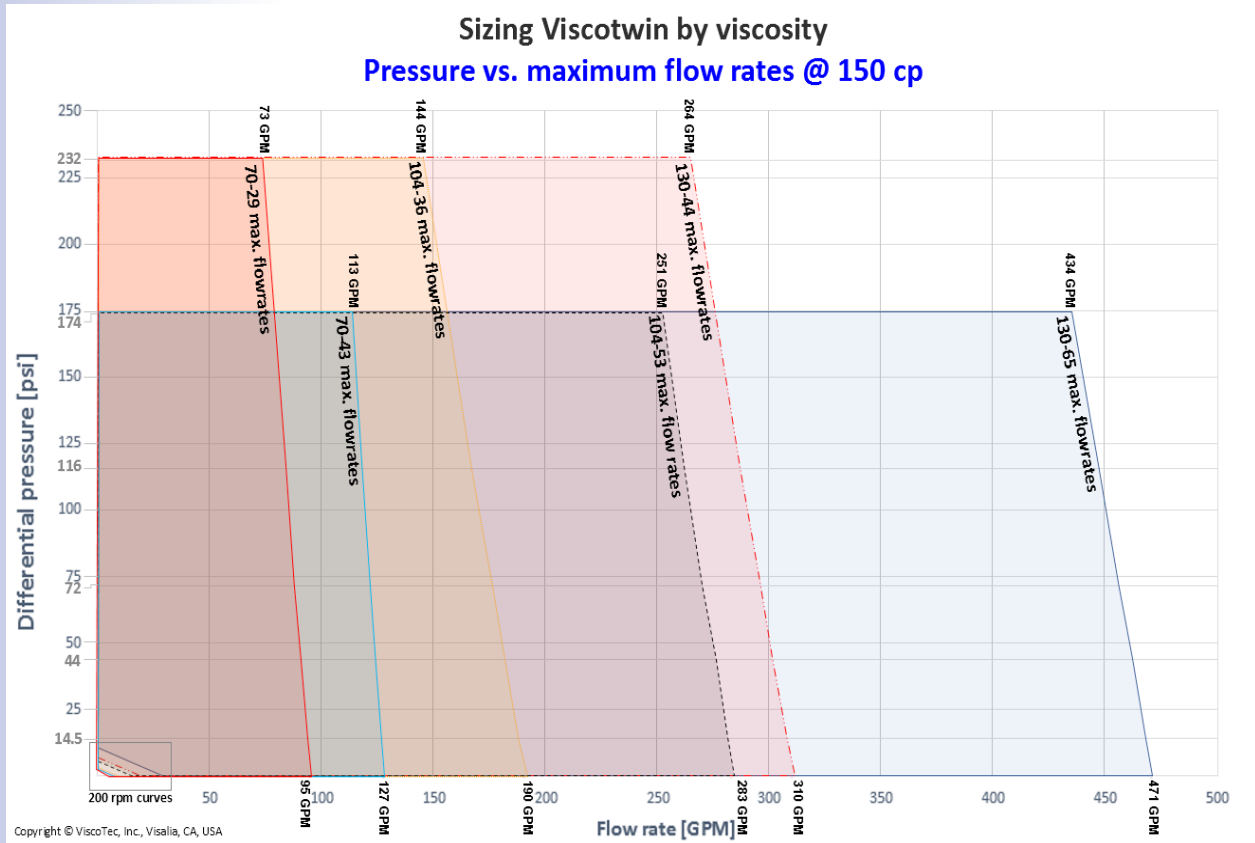
PROCESSTEC
GET TOMORROW'S TECHNOLOGY TODAY



Get High Performance With ViscoTwin

Manufactured in Germany, ViscoTwin pumps feature a state-of-the-art, high-performance design from the ground up. ViscoTwin pumps are bi-directional — four angular bearings are paired, two for pull, and two for push. The two-piece housing enables a large pump housing port. The pump housing is 100% drainable. A wide variety of pump housings (heated), process connections, screw pitches, mechanical seals, elastomers, and bearing housing materials is available.

The ViscoTwin screw pump is your sanitary pumping solution developed to pump low and high-viscous product gently and with particles up to 30mm. The ViscoTwin easily handles media containing up to 80% gas. Customer service starts well before the pump is delivered. Processtec understands that each application is unique. Before the assembled pump is shipped it undergoes rigorous testing.



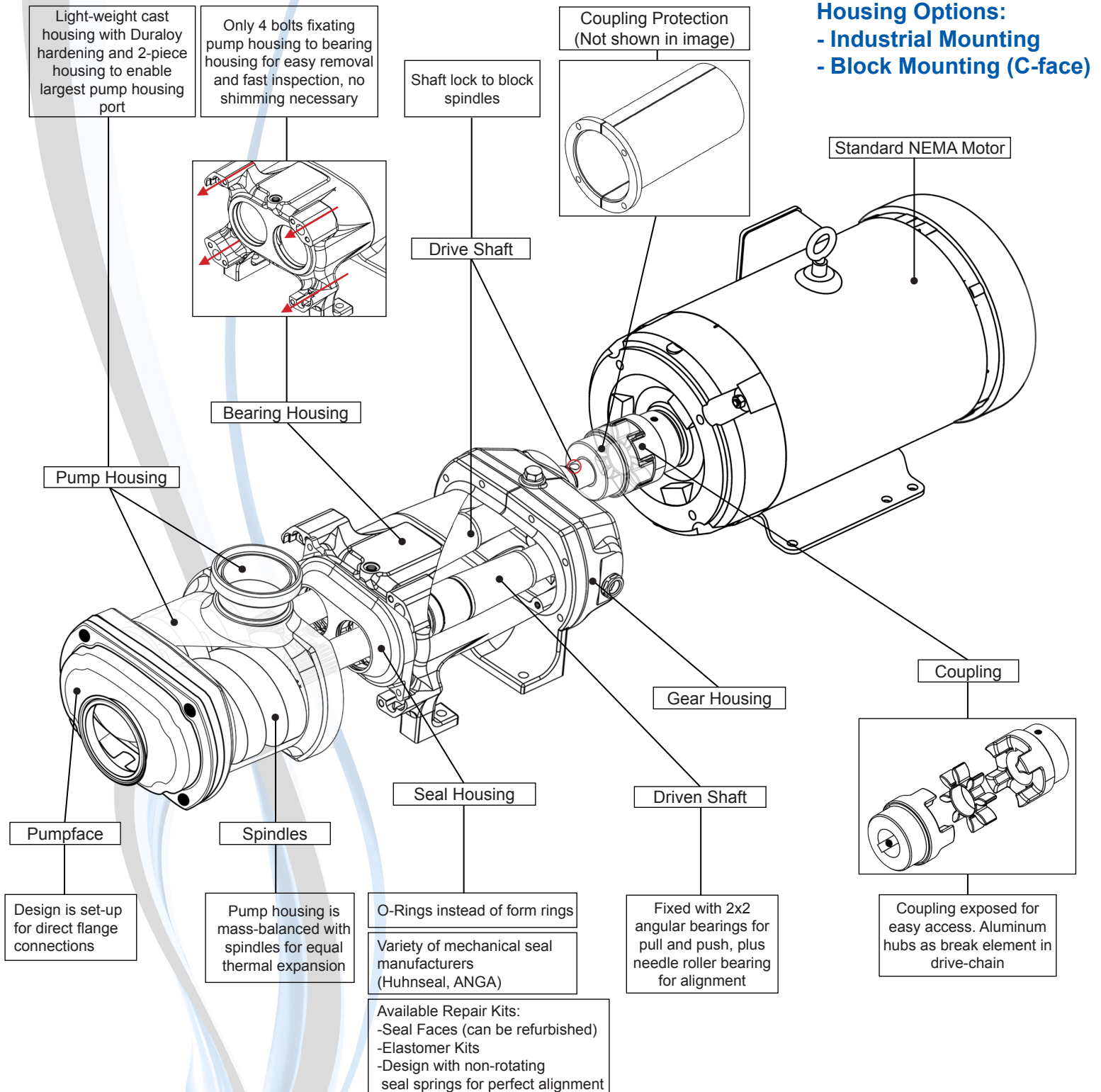
- C.I.P. and S.I.P.
- Designed according to 3A and EHEDG guidelines
- Other options available

Properties	ViscoTwin 70	ViscoTwin 104	ViscoTwin 130
Nom Differential Pressure (H ₂ O)	230 psi	230 psi	230 psi
Max Flow-rate	132 GPM	268 GPM	455 GPM
Max RPM	4000 RPM	3600 RPM	3000 RPM
Max Temperature	266 °F	266 °F	266 °F
Viscosity	0.5 – 1 Mio CPS	0.5 – 1 Mio CPS	0.5 – 1 Mio CPS
Particulate Size (mm)	20 mm	25 mm	30 mm
Pumpface OD Size	3.0" OD	4.0" OD	5.0" OD
Pump Housing OD Size	2.5" OD	3.0" OD	5.0" OD
NPSH	< 5 ft	< 5 ft	< 5 ft

Pump Features and Benefits

The ViscoTwin can be used for a variety of applications and products such as:

- Slurries
- Chocolate
- Creams
- Ointments
- Cheese Curd
- Butter
- Juices
- Concentrates
- Mash
- Pulp
- Liquid Sugar
- Rework Foods
- Oils
- Fats
- Soaps
- And Many More!



Some industries we serve:

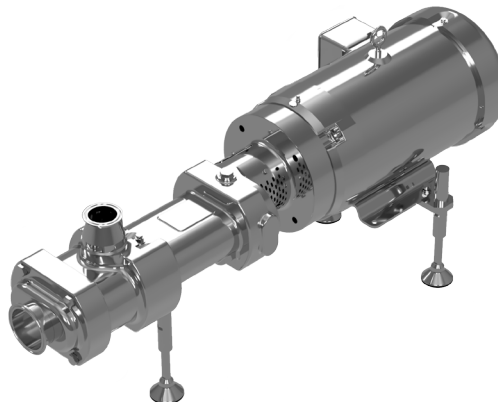
Dairy - Juices - Fruits - Personal Care - Tomato - Beverages - Sauces - Infant Formula - Process Foods - Processed Meat - Bakery - Confectionery - Pastries - Oils - Fragrances - Chemicals - Paints - Varnishes - Ointments - Pharmaceuticals...

Not listed? Contact us!

ViscoTwin 70

(Shown in Stainless Steel)

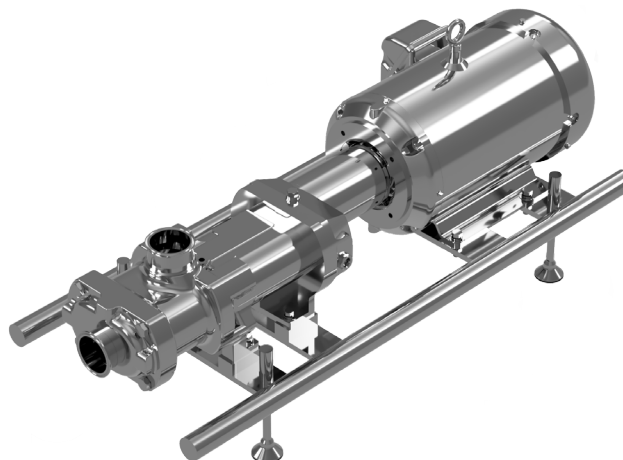
Available in  upon request



ViscoTwin 104

(Shown with Wash-down Motor)

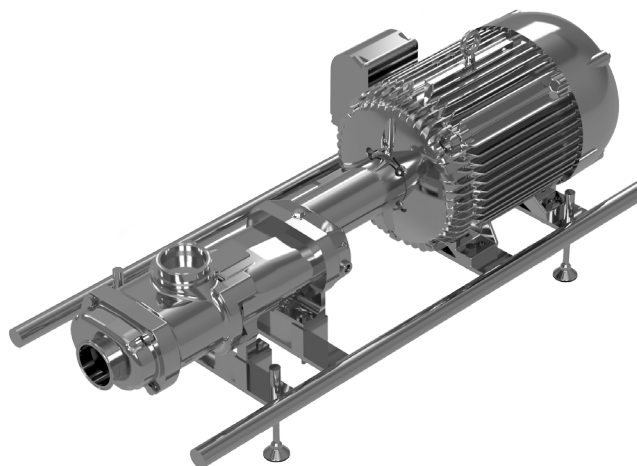
Available in  upon request



ViscoTwin 130

(Shown with Economical Motor)

Available in  upon request



Processtec, Inc.
345 E. Tulare Ave. Unit E
Visalia, CA 93277

Phone: +1(559) 429 4227
Fax: +1(559) 429 4228

Email: info@processtec.com
Website: www.viscotwin.us